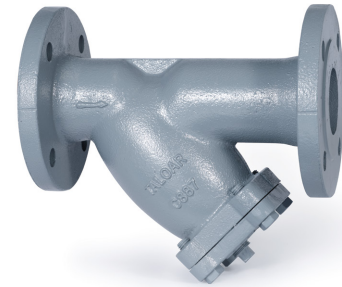


Iron Y Strainer

PN16/235PSI/Class125

Stainless Steel Screen, Drain Outlet
Flange Dimension to EN1092-2, ANSI B16.1



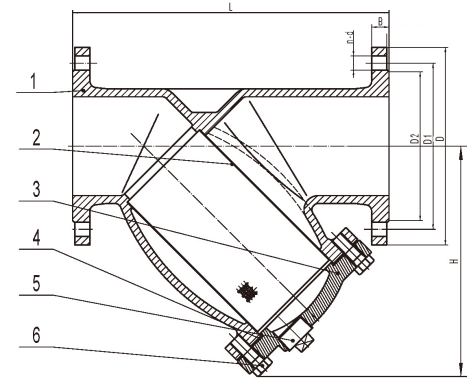
YR-670
2" - 16"

Hydraulic Pressure Test	
Body	2.4Mpa/24Bar

Pressure Ratings	
1.0 Mpa at 180°C	
1.6 Mpa at -10°C-120°C	

Materials List

No	Part	Specification	BS EN	ASTM
1	Body	Cast Iron	BSEN 1561	A126 Class B
2	Screen	Stainless Steel	BSEN 10088-1	AISI 304
3	Bonnet	Cast Iron	BSEN 1561	A126 Class B
4	Gasket	Graphite	--	--
5	Drain Plug	Cast Iron	BSEN 1561	A126 Class B
6	Bolt	Steel	BSEN 10087	Steel A307



Dimensions-Weights

mm	50	65	80	100	125	150	200	250	300	350	400
In	2	2 1/2	3	4	5	6	8	10	12	14	16
L	230	290	310	350	400	480	600	730	850	980	1100
H	156	176	199	240	292	320	399	516	568	648	759
D	165	185	200	220	250	285	340	405	460	520	580
D1	125	145	160	180	210	240	295	355	410	470	525
D2	99	118	132	156	184	211	266	319	370	429	480
B	20	20	22	24	26	26	30	32	32	36	38
n-d	4-19	4-19	8-19	8-19	8-19	8-23	12-23	12-28	12-28	16-28	16-31
Weight	Lbs	22	31	45	59	88	126	214	361	515	688
	Kg	10	14	20	27	40	57	97	164	234	312